

# Washroom & Shower

## Manual Dispensers

### PRODUCT DESCRIPTION

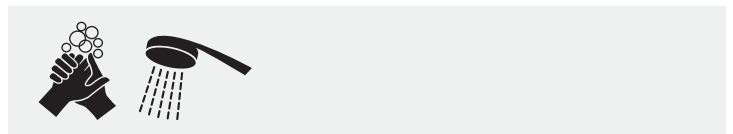
Unique range of 1 liter and 2 liter closed, sealed cartridge dispensers that meet the distinct needs of any office or public facility environment.

### WHERE TO USE

For exclusive use with SC Johnson Professional Cleanse Washroom foam soaps and shower products.

### METHOD OF USE

Large, 'easy-push' buttons dispense a controlled dose of product appropriate for the application required and empty cartridges are easily replaced in seconds.

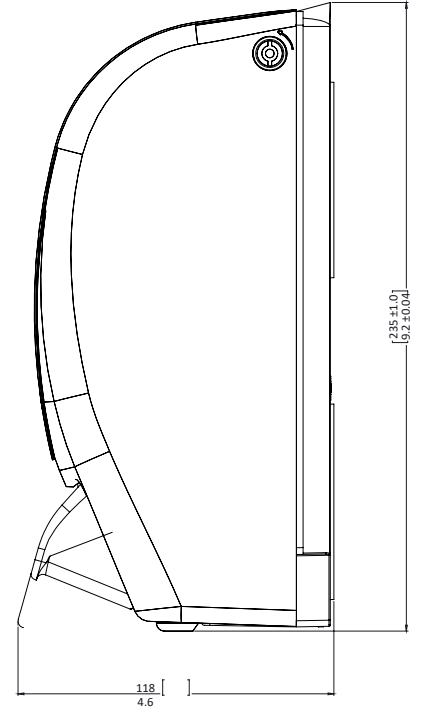
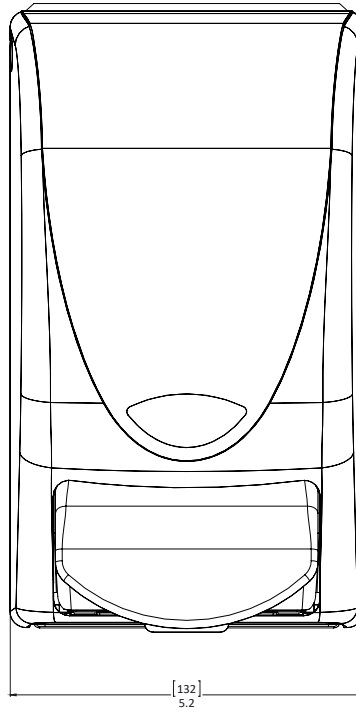


FEATURES	BENEFITS
Guaranteed for Life	Dispensers are manufactured from durable plastic components and rigorously tested for high usage environments, providing assurance of quality and long-term cost efficiency.
BioCote® Protected	Dispenser push buttons are exclusively protected by BioCote®, a silver-based antimicrobial agent that is incorporated into the plastic components at the time of manufacture and inhibits the growth of a broad spectrum of bacteria and molds; BioCote® will not wear-out or rub-off and is effective for the lifetime of the dispenser.
Large Push Buttons	Minimize the operation force required to allow easy use by hand or elbow; suitable in hygiene sensitive areas.
Fixed Product Dose	Delivers the exact amount required, controlling usage and reducing waste.
Unique Locking Mechanism	Helps prevent unauthorized access, pilferage and product contamination.
Sight Glass	Indicates the level of product in the cartridge which helps identify when product needs replacing
Simple Cartridge Replacement	Designed for exclusive use with SC Johnson Professional skin care system products to enable cartridges to be replaced in seconds, reducing maintenance time and costs.
Hygienic, Airless Cartridges	The ultrasonically sealed cartridge and pump mechanisms prevent the ingress of air into the cartridge during use to help prevent product contamination and ensure 'fresh' product is dispensed every time.
No Wastage	The air-tight cartridges are designed to collapse during use ensuring full evacuation of product with no wastage.

# Washroom & Shower Manual Dispensers

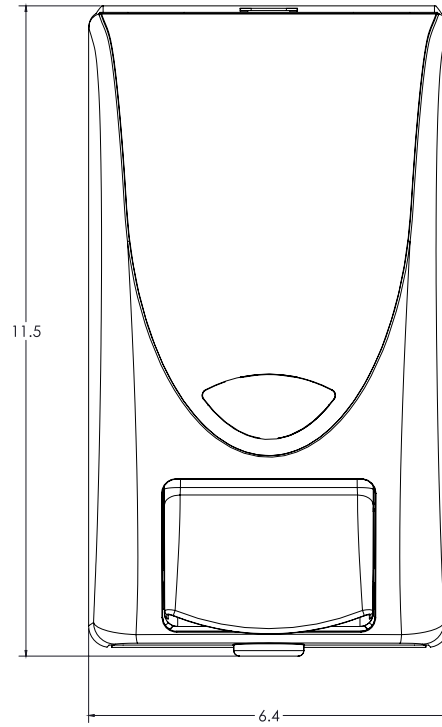
## 1 LITER DISPENSER

ANT1LDS  
WHB1LDS  
TWH1LDS  
91128  
TBK1LDS  
TPW1LDS  
TPB1LDS  
WHY1LDS  
WRM1LDS  
SHW1LDS



## 2 LITER DISPENSER

BLK2LDP  
WHB2LDP  
WRM2LDP  
SHW2LDP



# Washroom & Shower Manual Dispensers

## PACK SIZES

STOCK CODE	DISPENSER	COLOR	CASE QTY	CARTRIDGE CAPACITY	TO USE WITH
91128	Proline Curve 1000	Black	1 Liter	9.252 x 4.921 x 4.606	Universal for All 1 Liter Manual SC Johnson Professional Product Cartridges
WHB1LDS	Proline Curve 1000	White	1 Liter	9.252 x 4.921 x 4.606	
TWH1LDS	Proline Curve 1000	Translucent White w/ Chrome	1 Liter	9.252 x 4.921 x 4.606	
TBK1LDS	Proline Curve	Translucent Black w/ Chrome	1 Liter	9.252 x 4.921 x 4.606	
TPW1LDS	Transparent White (Clear Sides)	Transparent White w/ Chrome	1 Liter	9.252 x 4.921 x 4.606	
TPB1LDS	Transparent Black (Clear Sides)	Transparent Black w/ Chrome	1 Liter	9.252 x 4.921 x 4.606	
WYH1LDS	Kid's Wash Dispenser	Green	1 Liter	9.252 x 4.921 x 4.606	For 2 Liter Foam SC Johnson Professional Product Cartridges
BLK2LDP	Proline Curve 2000 Foam	Black	2 Liter	11.378 x 6.378 x 5.472	
WHB2LDP	Proline Curve 2000 Foam	White	2 Liter	11.378 x 6.378 x 5.472	For 2 Liter Non-Foam SC Johnson Professional Product Cartridges
WTS2LDP	Proline Curve 2000 Lotion	White	2 Liter	11.378 x 6.378 x 5.472	
BKS2LDP	Proline Curve 2000 Lotion	Black	2 Liter	11.378 x 6.378 x 5.472	CLR1L, AZU1L, RFW1L, ENG1L
WRM1LDS	Cleanse Washroom	White	1 Liter	9.252 x 4.921 x 4.606	
WRM2LDP	Cleanse Washroom	White	2 Liter	11.378 x 6.378 x 5.472	CLR2LT, AZU2LT, RFW2LT, ENG2LT
SHW1LDS	Cleanse Hand and Body	White	1 Liter	11.378 x 6.378 x 5.472	CMW1L, HBG1L
SHW2LDP	Cleanse Hand and Body	White	2 Liter	11.378 x 6.378 x 5.472	CMW2LT, HBG2LT

SC Johnson Professional  
 2815 Coliseum Centre Dr. #600  
 Charlotte, North Carolina, 28217  
 Telephone: 800 248 7190  
 www.scjp.com

This information and all further technical advice is based upon our present knowledge and experience. However, it implies no liability or other legal responsibility on our part, including with regard to existing third party intellectual property rights, especially patent rights. In particular, no warranty, whether express or implied, or guarantee of product properties in the legal sense is intended or implied. We reserve the right to make any changes according to technological progress or further developments.

\* = is a registered trademark of SC Johnson Professional or one of its subsidiaries  
 © SC Johnson Professional

**SC Johnson**  
**PROFESSIONAL®**  
 A family company™