

# Countertop Silver Dispenser Stand

**PRODUCT DESCRIPTION**

Stylish dispenser stands to promote hand sanitising.

**SECTORS**

- Office & Facility
- Healthcare
- Public Facilities
- Industrial
- Food
- Hospitality
- Education

TO BE USED WITH ANY SCJOHNSON PROFESSIONAL DISPENSER

**PACK SIZES**

STOCK CODE	COLOR	QTY/CASE	CASE DIMENSIONS
CTDSPSTAND	Silver	1	485 x 275 x 85 mm

**FEATURES**

For use with manual and touch-free dispensers

Strong suction cup hold for use on countertops.

Easy to assemble with only three main parts (assembly tools included)

Optional signage to customize the header with your message or logos (template provided below)

Sturdy metal construction

Durable coating to protect against wear & tear

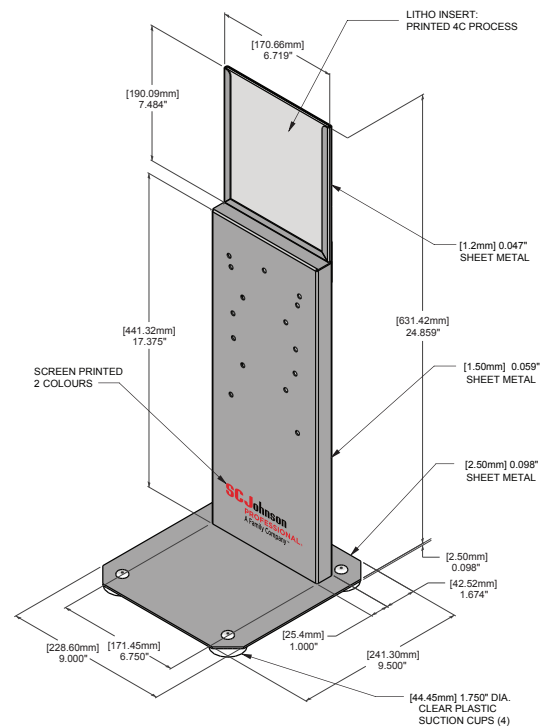
Low profile base to maximize stability

Able to be fixed permanently to flat surfaces (hardware not included)



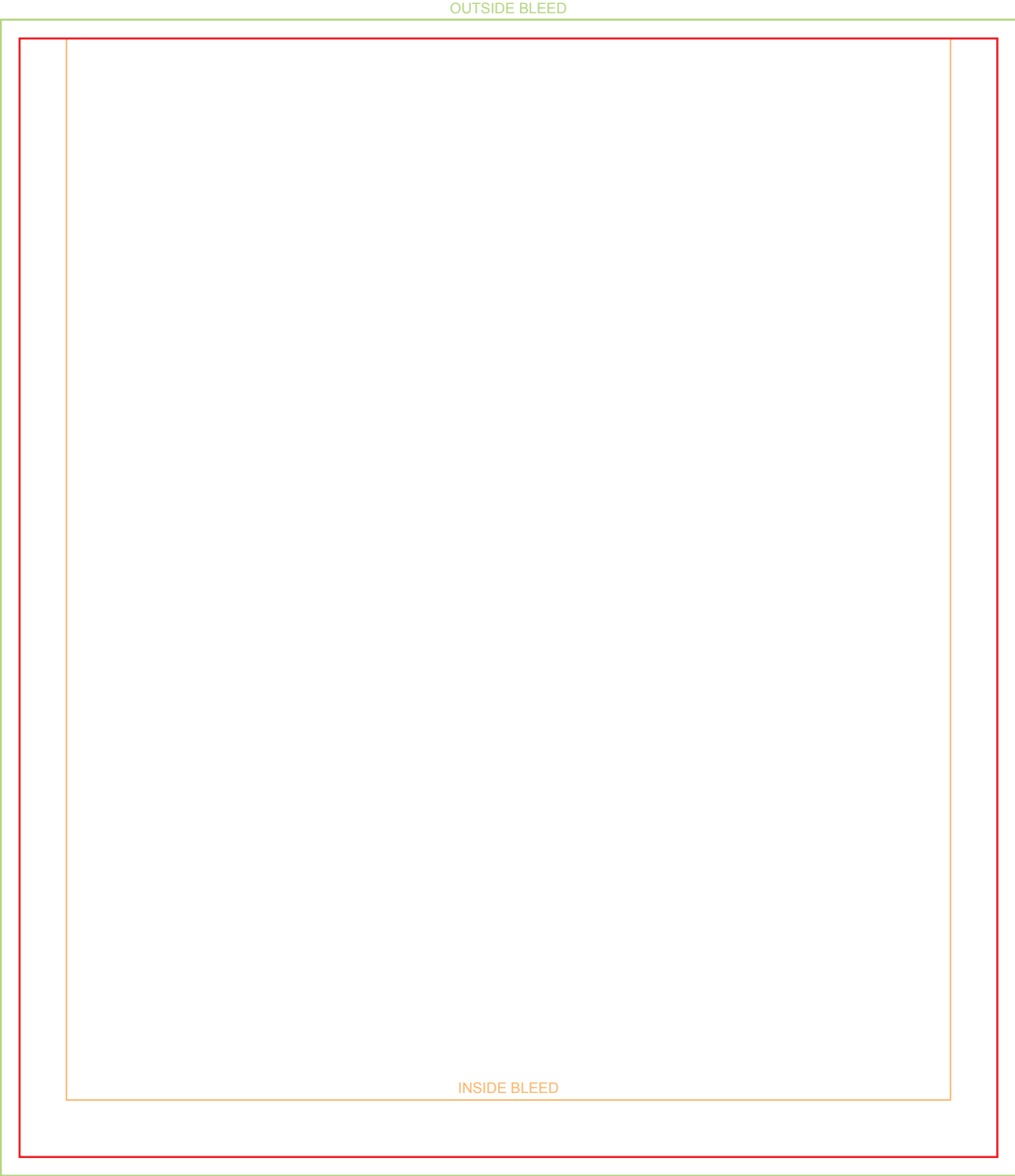
Dispensers sold separately

**CT Dispenser Stand Dimensions**



# Countertop Silver Dispenser Stand

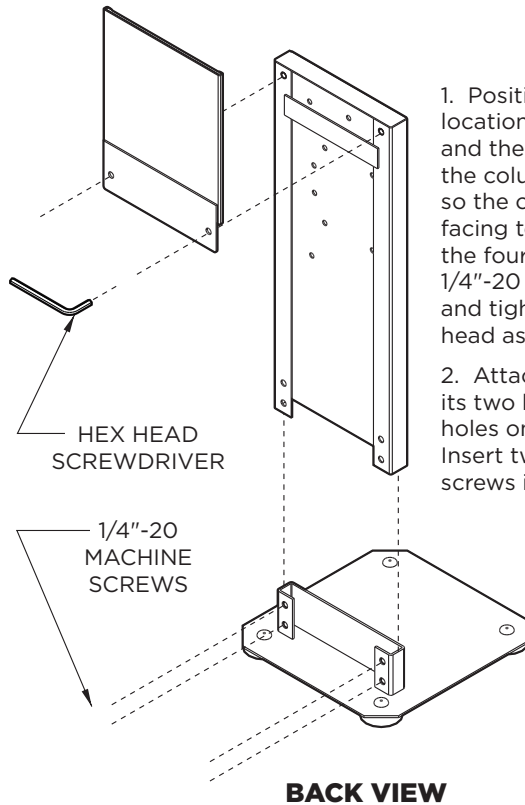
## DESIGN YOUR OWN HEADER TEMPLATE



<b>PRINT AREA :</b>	[171.45mm] 6.750" X [195.28mm] 7.688"
<b>TRIM/DIE SIZE :</b>	[165.10mm] 6.500" X [188.93mm] 7.438"
<b>SUBSTRATE :</b>	[0.25mm] 0.010" GLOSS LITHO STOCK

# Countertop Silver Dispenser Stand

## COUNTER SANITIZING STATION PART# CTDSPSTAND ASSEMBLY INSTRUCTIONS



1. Position the base in the desired location with the flange side up and the suction cups down. Slide the column over the base flange so the open face of the column is facing towards the back. Align the four lower holes, insert four 1/4"-20 machine screws into them and tighten fully using the hex head assembly tool provided.

2. Attach the header by aligning its two holes with the top two holes on the back of the column. Insert two 1/4"-20 machine screws into them and tighten fully.



3. Open the dispenser. Align the top four holes on the backplate with the top four holes at the top of the column. Insert four #8-32 machine screws. From the back of the unit, attach the #8-32 keps nuts and hand tighten. Fully tighten down using the phillips head assembly tool provided.

